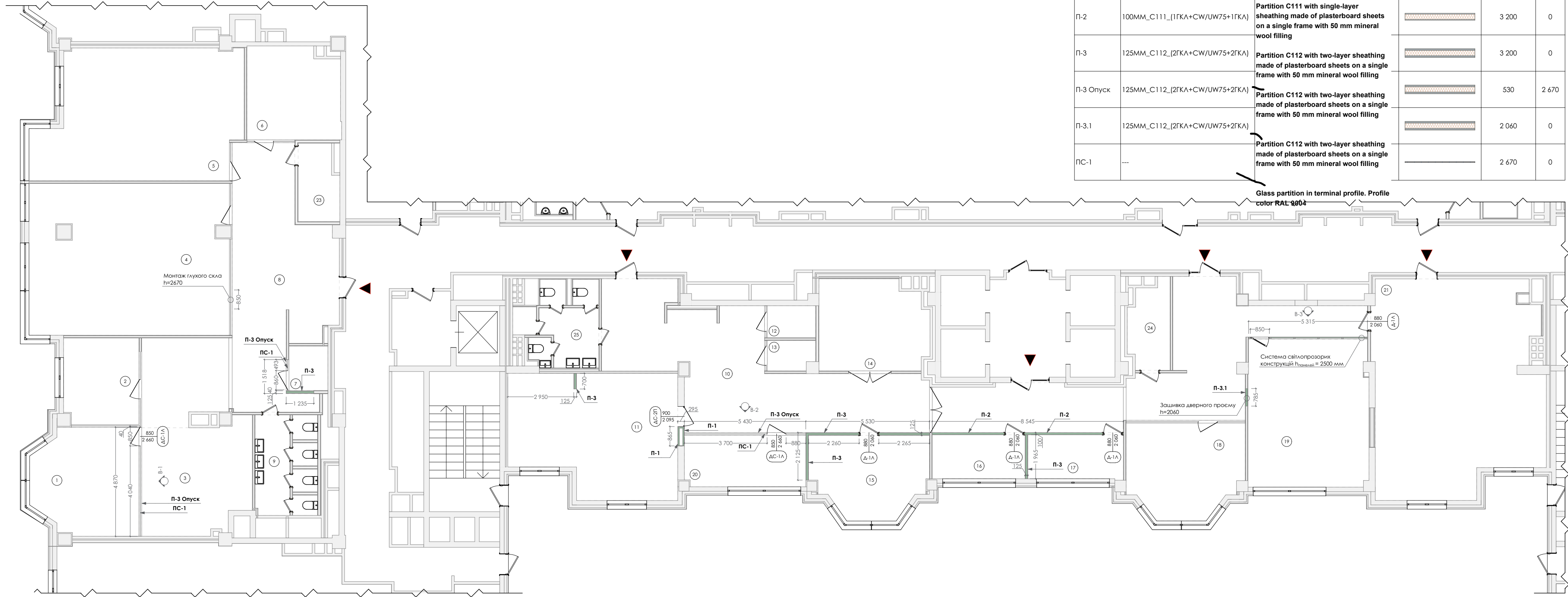


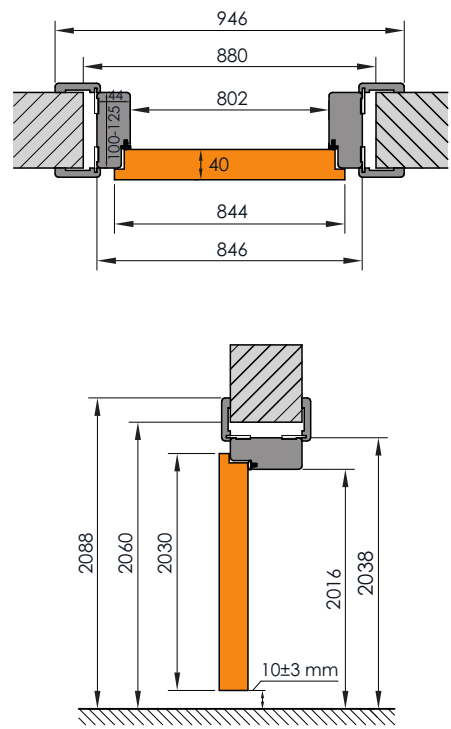
Notes

- The plan shows dimensions of doorways for door mantling
- Actual sizes of glass doors to be specified according to the site

Information on vertical structures					
Marked	Multi-layered structure	Structure description	Look on the plan	Structure height, mm	Height from the floor
П-1	75MM_(2ГКА+CW/UW50)	Partition with two-layer sheathing on one side from plasterboard sheets on a single frame without filling		2 095	0
П-2	100MM_C111_(1ГКА+CW/UW75+1ГКА)	Partition C111 with single-layer sheathing made of plasterboard sheets on a single frame with 50 mm mineral wool filling		3 200	0
П-3	125MM_C112_(2ГКА+CW/UW75+2ГКА)	Partition C112 with two-layer sheathing made of plasterboard sheets on a single frame with 50 mm mineral wool filling		3 200	0
П-3 Опыск	125MM_C112_(2ГКА+CW/UW75+2ГКА)	Partition C112 with two-layer sheathing made of plasterboard sheets on a single frame with 50 mm mineral wool filling		530	2 670
П-3.1	125MM_C112_(2ГКА+CW/UW75+2ГКА)	Partition C112 with two-layer sheathing made of plasterboard sheets on a single frame with 50 mm mineral wool filling		2 060	0
ПС-1	---	Partition C112 with two-layer sheathing made of plasterboard sheets on a single frame with 50 mm mineral wool filling		2 670	0

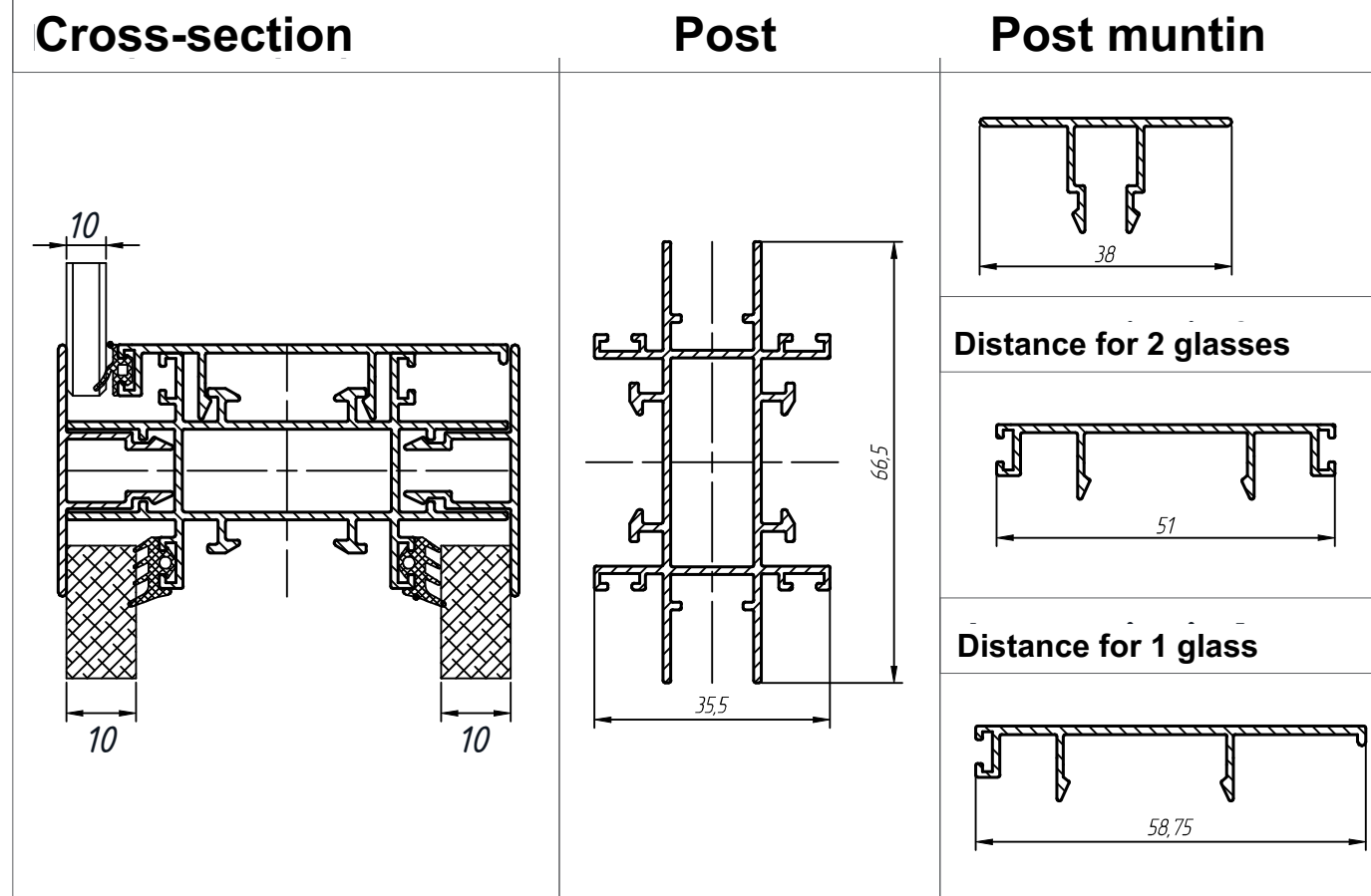


Installation dimensions of doors Porta Minimax, P model, in Porta SYSTEM door-case



Functional zoning		
Nr	Name zone	Area, m2
1	Head of office	21,42
2	Office	12,85
3	Office	23,09
4	Governments	60,37
5	Coms+SRSV	50,17
6	Conference room	16,92
7	Meeting room	3,45
8	Open space	58,16
9	WC	11,74
10	Open space	104,02
11	Kitchen	38,63
12	Meeting room	3,09
13	Meeting room	2,76
14	Conference room	19,10
15	Office	17,51
16	Operation manager	8,15
17	HR	8,42
18	Office	20,47
19	Office	35,45
20	Finance	12,41
21	Office	68,86
23	Server room	6,00
24	Server room	6,76
25	WC	11,65
		621,45 m²

Nodal solutions of systems of enclosing translucent structures



Door specification						
Marked	Q-ty	Type	Opens	Product design	Doorway dimensions (W x H)	Doorleaf dimensions (W x H)
Δ-1А	4	Single-leaf door Porta MINIMAX, model "P", in a Porta SYSTEM door-case, acrylic UV painting, color White WBI	L		880×2 060	804×2 038
ΔC-1А	2	Single glazing, 8 mm clear tempered glass. Door closer. With a place for a lock. Chameleon film coating.	L		850×2 660	850×2 660
ΔC-2П	1	Single glazing, 5 mm clear tempered glass. Profile color RAL 9004. Door closer.	R		900×2 095	844×2 067